



## VAC-NTE

### Nutork Quarter Turn Electric Actuators

#### NTE-Series

##### Features:

- Heat treated alloy steel gearbox provides high strength and longevity.
- High torque worm and gear drive with end of stroke adjusters.
- Removable manual override handle.
- Integral anti-condensation heater and additional SPDT switches for end of travel indication.
- Captive cover screws prevent loss during commissioning.
- Visual position indicator with tempered glass window for impact resistance and long term clarity.
- IP67 environmental protection.



| Model                               | NTE-03  | NTE-05   | NTE-10              | NTE-20              | NTE-40              | NTE-60 | NTE-100                         | NTE-160 | NTE-200 | NTE-400       |
|-------------------------------------|---|----------|---------------------|---------------------|---------------------|--------|---------------------------------|---------|---------|---------------|
| Output Torque (Nm)                  | 30  | 15/30/50 | 50/60/100           | 80/100/<br>150/200  | 150/250<br>300/400  | 600    | 300/800/<br>1000                | 1600    | 2000    | 4000          |
| Operation Speed<br>(0° to 90°/50Hz) | 20  | 10/20/30 | 15/20/30            | 9/15/20/30          | 9/15/20/<br>30      | 30     | 15/30/50                        | 88      | 100     | 100           |
| Operation Angle (Max.)              | 0-360°  | 0-360°   | 0-90°               | 0-90°               | 0-90°               | 0-90°  | 0-90°                           | 0-90°   | 0-90°   | 0-90°         |
| Valve Conn. / ISO5211               | □9/11—F03/F05<br>Or □ 14 - F05/F07  |          | □14/17 -<br>F05/F07 | □17/22 –<br>F07/F10 | □17/22/27 - F07/F10 |        | □22/27 - F10/F12 Or □36—F14/F16 |         |         | Bare<br>Shaft |
| Power (Watts)                       | DC  | 20       | 20                  | 40                  | 40                  | 90     | 90                              | -       | -       | -             |
|                                     | AC  | 10       | 10                  | 23                  | 40                  | 90     | 90                              | 100     | 100     | 200           |
| Rated Current 50Hz<br>(A)           | 24VDC   | 2        | 2                   | 2.4                 | 8.5                 | 11.5   | 11.8                            | 11.5    | -       | -             |
|                                     | 110VAC  | 0.48     | 0.48                | 0.64                | 0.9                 | 2      | 2.06                            | 2.2     | 2.2     | 4.1           |
|                                     | 220VAC  | 0.24     | 0.24                | 0.32                | 0.48                | 0.92   | 0.95                            | 1.20    | 1.20    | 2.10          |
|                                     | 380VAC  | 0.15     | 0.15                | 0.19                | 0.25                | 0.45   | 0.46                            | 0.48    | 0.48    | 0.90          |
| Weight (Kg)                         |   |          |                     |                     |                     |        |                                 |         |         |               |
| Duty Cycle (On/Off)                 | 35%, 10mins - 30mins  |          |                     |                     |                     |        |                                 |         |         |               |
| Power Supply                        | 1 Phase: 110/220VAC±10%@50/60Hz, 3 Phase: 380/440VAC±10%@50/60Hz, 12VDC,24VDC/AC              |          |                     |                     |                     |        |                                 |         |         |               |
| Anti-Vibration                      | XYZ 10g, 0.2~34Hz, 10mins   |          |                     |                     |                     |        |                                 |         |         |               |
| Ambient Humidity                    | 90%RH Max.  |          |                     |                     |                     |        |                                 |         |         |               |
| Ambient Temp.                       | -30°c to 60°c   |          |                     |                     |                     |        |                                 |         |         |               |
| Enclosure Rating                    | IP67 (Standard)   |          |                     |                     |                     |        |                                 |         |         |               |
| Mounting Direction                  | All Directions  |          |                     |                     |                     |        |                                 |         |         |               |
| Manual Operation                    | Detachable crank Allen-Key (Standard Accessory)   |          |                     |                     |                     |        |                                 |         |         |               |
| Stopper                             | In operation: Limit switches at full & closed position; manual operation: Mechanical stoppers |          |                     |                     |                     |        |                                 |         |         |               |
| Housing Material                    | Die-casting aluminium alloy   |          |                     |                     |                     |        |                                 |         |         |               |

**Please note:** All information is sourced from manufacturer's data and is intended for guidance only —  
The Valve and Actuator company can accept no liability for changes, omissions or errors.

[www.valveandactuatorcompany.co.uk](http://www.valveandactuatorcompany.co.uk) - To order, call us on 01489 779 068 or email us on [sales@vacuk.co.uk](mailto:sales@vacuk.co.uk)



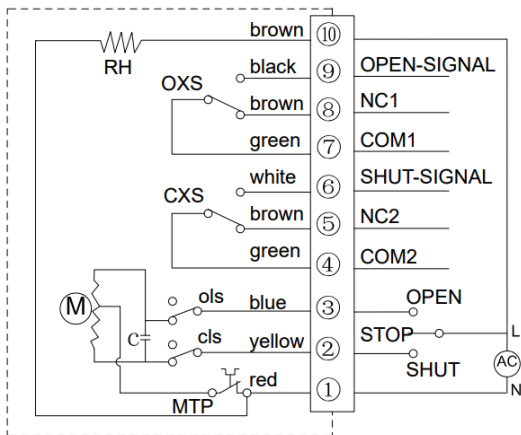
## VAC-NTE

### Nutork Quarter Turn Electric Actuators - Technical Specification (Control)

#### NTE05 to NTE400-

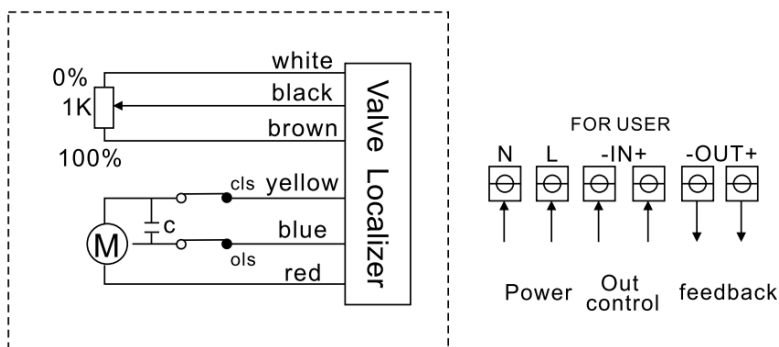
##### 2 x SPDT Control:

Output Signal - 1 x SPDT (NC/NO) micro-switch each at open & close position



##### Modulating Control:

Input Signal: 4-20mDC or 0-5VDC Output Signal: 4-20mADC



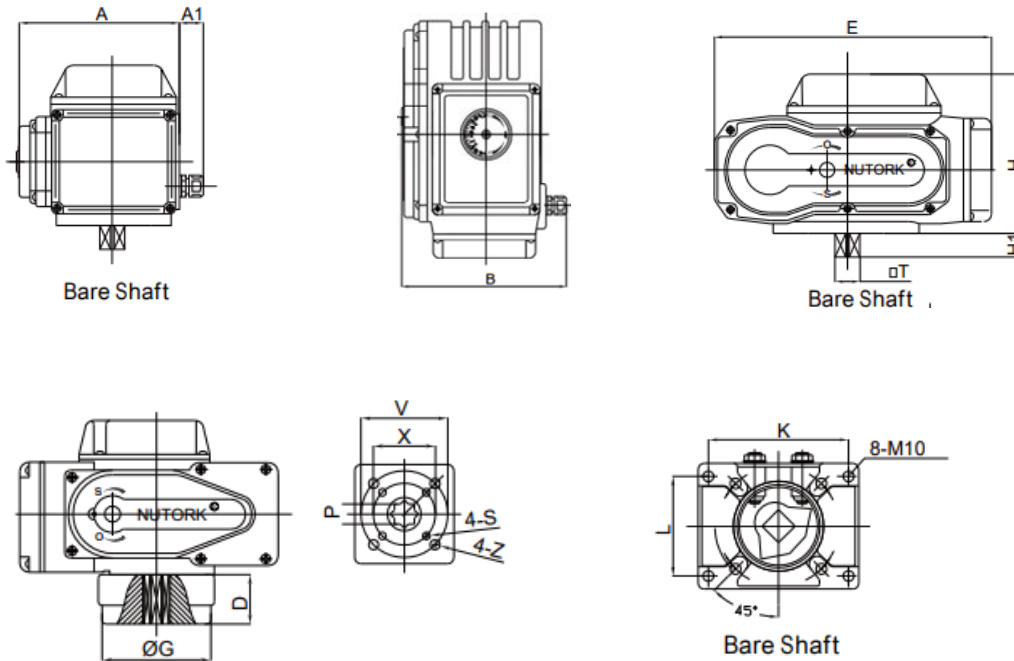
**Please note:** All information is sourced from manufacturer's data and is intended for guidance only —  
The Valve and Actuator company can accept no liability for changes, omissions or errors.

[www.valveandactuatorcompany.co.uk](http://www.valveandactuatorcompany.co.uk) - To order, call us on 01489 779 068 or email us on [sales@vacuk.co.uk](mailto:sales@vacuk.co.uk)



## VAC-NTE

### Nutork Quarter Turn Electric Actuators - Dimension Specification



| Model   | A   | A1   | E   | H   | H1 | T     | K   | L   | B   | X   | V   | □P      | S    | Z     | ØG  | ØF | D                 |
|---------|-----|------|-----|-----|----|-------|-----|-----|-----|-----|-----|---------|------|-------|-----|----|-------------------|
| NTE-03  | 115 | 22   | 160 | 103 | 12 | 12*12 | 68  | 60  | 138 | 36  | 50  | 9/11/14 | 4-M5 | 4-M6  | 70  | 28 | Followed by Valve |
| NTE-05  | 115 | 22   | 160 | 103 | 12 | 12*12 | 68  | 60  | 138 | 36  | 50  | 9/11/14 | 4-M5 | 4-M6  | 70  | 28 |                   |
| NTE-10  | 123 | 22   | 208 | 124 | 19 | 15*15 | 82  | 70  | 105 | 50  | 70  | 9/11/14 | 4-M6 | 4-M8  | 90  | 35 |                   |
| NTE-20  | 148 | 22   | 258 | 148 | 22 | 23*23 | 118 | 84  | 178 | 70  | 102 | 14/17   | 4-M8 | 4-M10 | 125 | 48 |                   |
| NTE-40  | 148 | 22   | 258 | 148 | 22 | 23*23 | 118 | 84  | 178 | 70  | 102 | 17/22   | 4-M8 | 4-M10 | 125 | 48 |                   |
| NTE-60  | 148 | 22   | 258 | 148 | 22 | 23*23 | 118 | 84  | 178 | 70  | 102 | 17/22   | 4-M8 | 4-M10 | 125 | 48 |                   |
| NTE-100 | 156 | 27.5 | 280 | 159 | 25 | 30*30 | 148 | 84  | 187 | 102 | 125 | 22/27   | -    | 4-M10 | 135 | 65 |                   |
| NTE-160 | 156 | 27.5 | 280 | 159 | 25 | 30*30 | 148 | 84  | 187 | 102 | 125 | 22/27   | -    | 4-M10 | 135 | 65 |                   |
| NTE-200 | 156 | 27.5 | 280 | 159 | 25 | 30*30 | 148 | 84  | 187 | 140 | 165 | 36      | -    | 4-M16 | 175 | 65 |                   |
| NTE-400 | 266 | -    | 439 | 179 | 48 | 52*52 | 180 | 180 | 266 | 159 | 254 | 52      | -    | 4-M18 | -   | -  |                   |

**Please note:** All information is sourced from manufacturer's data and is intended for guidance only –  
The Valve and Actuator company can accept no liability for changes, omissions or errors.

[www.valveandactuatorcompany.co.uk](http://www.valveandactuatorcompany.co.uk) - To order, call us



## VAC-NTE02

### Nutork Quarter Turn Electric Actuators

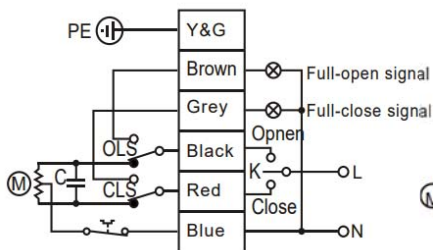
#### NTE02-Series

##### Technical Specification:

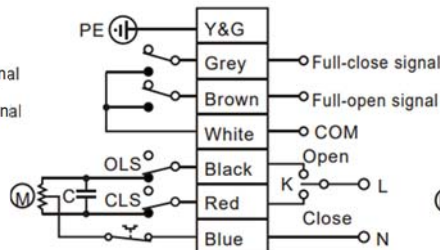
| Model—NTE02           |                                |      |              |   |
|-----------------------|--------------------------------|------|--------------|---|
| Power                 | 110/220VAC                     |      | 24VDC        |   |
| Output Torque (Nm)    | 18                             | 9    | 18           | 9 |
| Operating Speed (Sec) | 12                             | 6    | 12           | 6 |
| Power Consumption (W) | 6                              |      | 8            |   |
| Rated Current (A)     | 0.28                           | 0.15 | 1.10         |   |
| Insulation Resistance | 100MΩ@500VDC                   |      | 100MΩ@250VDC |   |
| Withstand Voltage     | 1500VAC@1min                   |      | 550VAC@1min  |   |
| Ambient Temp.         | -30°C to 60°C                  |      |              |   |
| Valve Connection.     | ISO5211, □9/11mm X F03/F04/F05 |      |              |   |
| Dimensions (mm)       | 72 (W) x 75 (L) x 120 (H)      |      |              |   |
| Enclosure Rating      | IP68                           |      |              |   |



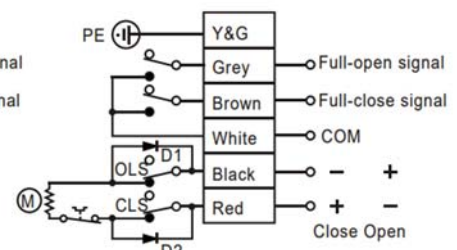
##### Wiring Diagrams:



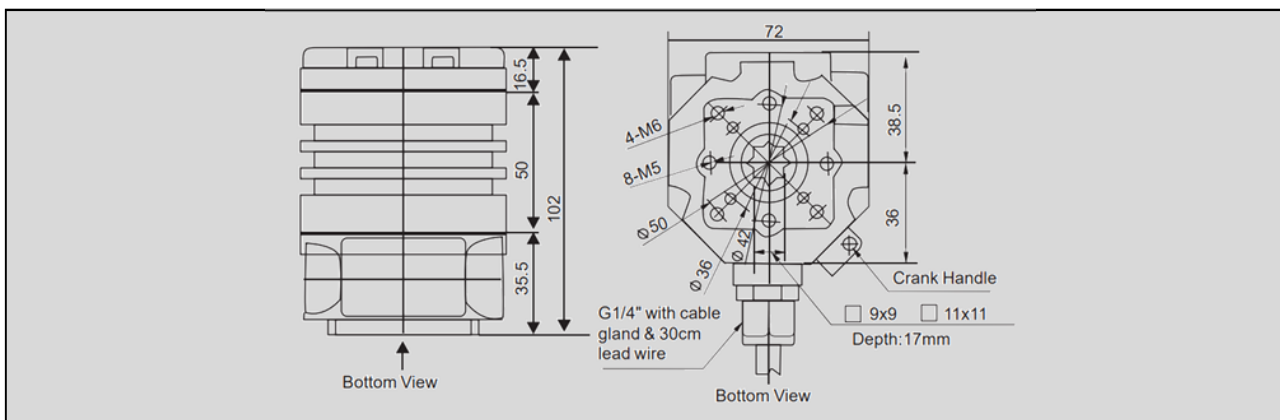
Type:A



Type:B



Type B: 24VDC



**Please note:** All information is sourced from manufacturer's data and is intended for guidance only — The Valve and Actuator company can accept no liability for changes, omissions or errors.

[www.valveandactuatorcompany.co.uk](http://www.valveandactuatorcompany.co.uk) - To order, call us on 01489 779 068 or email us on [sales@vacuk.co.uk](mailto:sales@vacuk.co.uk)